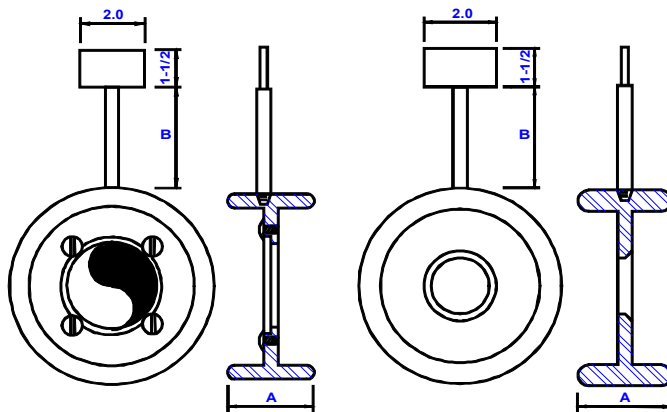


IMPERIAL FLANGE & FITTING

RTJ ORIFICE PLATES AND HOLDERS



MODEL 590

MODEL 560

PIPE SIZE	300-600# RATING				900# RATING			
	API RING NUMBER	OVERALL THICKNESS	HANDLE LENGTH	APPROXIMATE GAP	API RING NUMBER	OVERALL THICKNESS	HANDLE LENGTH	APPROXIMATE GAP
		A	B	*		A	B	*
1/2	R-11	.906	4.50	.593	R-12	1.00	4.50	.593
3/4	R-13	1.00	4.50	.593	R-14	1.00	4.50	.593
1	R-16	1.00	4.50	.593	R-16	1.00	4.50	.593
1-1/2	R-20	1.00	4.50	.593	R-20	1.00	4.50	.593
2	R-23	1.062	4.50	.593	R-24	1.062	5.50	.531
2-1/2	R-26	1.062	5.50	.593	R-27	1.062	5.50	.531
3	R-31	1.062	5.50	.593	R-31	1.062	5.50	.531
4	R-37	1.062	5.50	.593	R-37	1.062	5.50	.531
6	R-45	1.062	6.50	.593	R-45	1.062	6.50	.531
8	R-49	1.062	6.50	.593	R-49	1.062	6.50	.531
10	R-53	1.187	7.50	.718	R-53	1.187	7.50	.565
12	R-57	1.187	7.50	.718	R-57	1.187	7.50	.565
14	R-61	1.187	7.50	.718	R-62	1.437	7.50	.718
16	R-65	1.312	7.50	.843	R-66	1.562	7.50	.843
18	R-69	1.312	7.50	.843	R-70	1.687	7.50	.875
20	R-73	1.250	7.50	.718	R-74	1.562	7.50	.750
24	R-77	1.437	7.50	.812	R-78	1.875	9.50	.781

MATERIALS: Carbon Steel, Stainless Steel, Chromoly, Monel, Hastelloy

Other materials and schedules available

Style 590 available in sizes 3" and larger.

Style 560 available in sizes 1/2" and larger.
2" through 8" sizes have a 1/4"
standard plate thickness. Add
1/8" to the "A" and Gap dimensions

Manufactured to meet

A.G.A Report #3

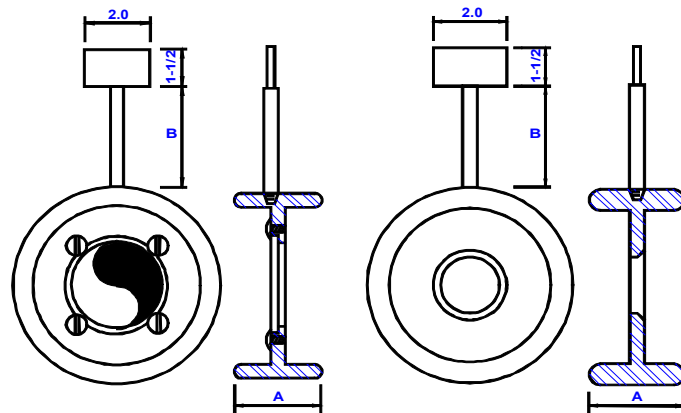
A.P.I 14.3

ASME SPECIFICATIONS

Seal rings sold seperately

IMPERIAL FLANGE & FITTING

RTJ ORIFICE PLATES AND HOLDERS



MODEL 590

MODEL 560

PIPE SIZE	1500# RATING				2500# RATING			
	API RING NUMBER	OVERALL THICKNESS	HANDLE LENGTH	APPROXIMATE GAP	API RING NUMBER	OVERALL THICKNESS	HANDLE LENGTH	APPROXIMATE GAP
		A	B	*		A	B	*
1/2	R-12	1.00	4.50	.593	R-13	1.00	4.50	.593
3/4	R-14	1.00	4.50	.593	R-16	1.00	4.50	.593
1	R-16	1.00	4.50	.593	R-18	1.00	4.50	.593
1-1/2	R-20	1.00	4.50	.593	R-23	1.062	5.50	.500
2	R-24	1.062	5.50	.500	R-26	1.602	5.50	.500
2-1/2	R-27	1.062	5.50	.500	R-28	1.187	5.50	.562
3	R-35	1.062	5.50	.500	R-32	1.187	6.50	.562
4	R-39	1.062	5.50	.500	R-38	1.312	6.50	.593
6	R-46	1.187	6.50	.562	R-47	1.437	7.50	.593
8	R-50	1.312	6.50	.593	R-51	1.562	8.50	.625
10	R-54	1.437	7.50	.718	R-55	2.00	8.50	.812
12	R-58	1.687	8.50	.750	R-60	2.125	9.50	.875
14	R-63	1.875	8.50	.781				
16	R-67	2.125	9.50	1.00				
18	R-71	2.125	9.50	1.00				
20	R-75	2.125	10.50	.875				
24	R-79	2.312	11.50	1.00				

MATERIALS: Carbon Steel, Stainless Steel, Chromoly, Monel, Hastelloy

Other materials and schedules available

Style 590 available in sizes 3" and larger.

Style 560 available in sizes 1/2" and larger.
2" through 8" sizes have a 1/4"
standard plate thickness. Add
1/8" to the "A" and Gap dimensions

Manufactured to meet

A.G.A Report #3

A.P.I 14.3

ASME SPECIFICATIONS

Seal rings sold seperately